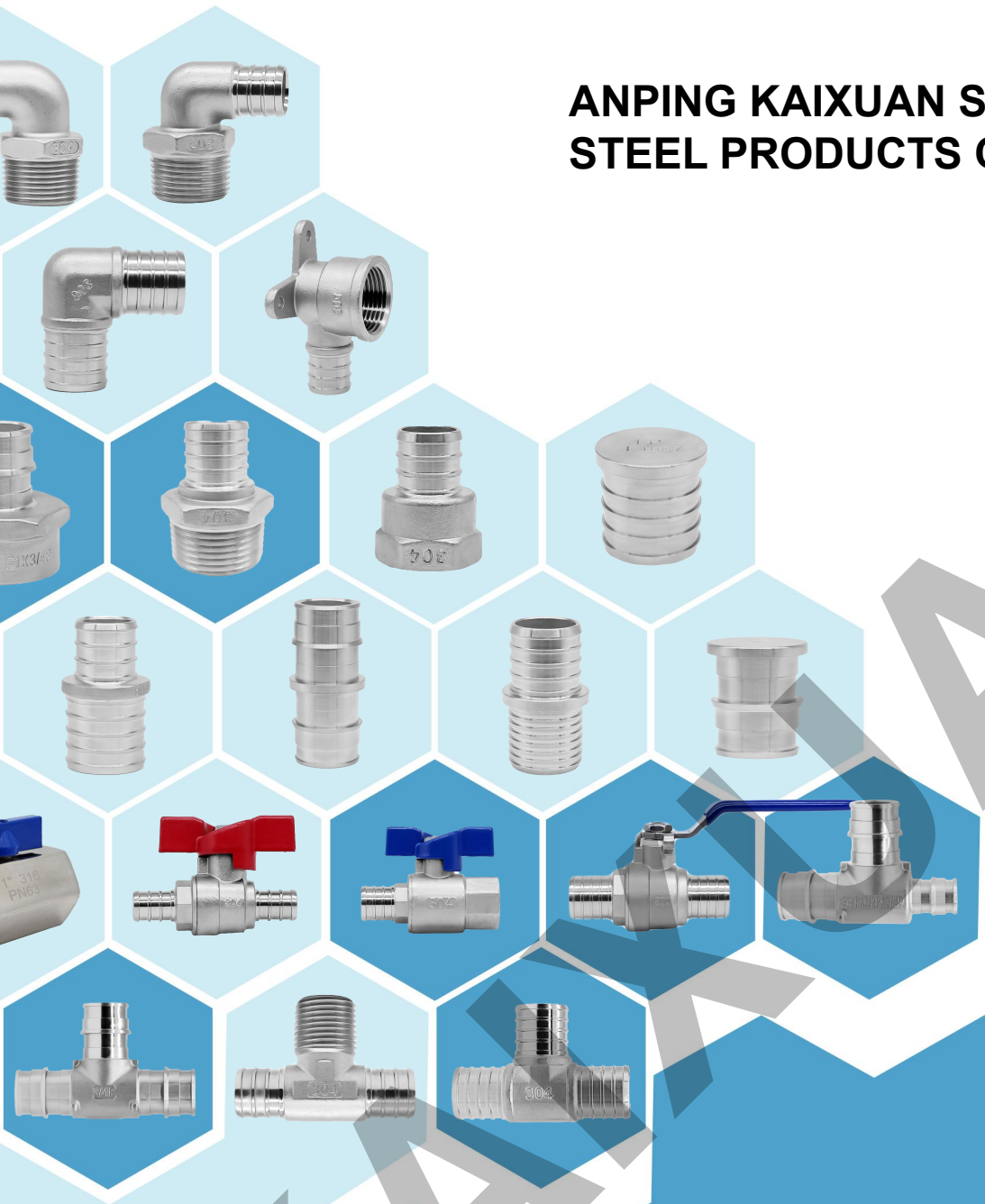


**ANPING KAIXUAN STAINLESS  
STEEL PRODUCTS CO., LTD**



## PEX Fittings & Ball Valves

Email: [info@hbkaixuan.com](mailto:info@hbkaixuan.com)

WA/TEL: +86 156 3351 4444

Web: [www.kxcasting.com](http://www.kxcasting.com) [www.ssfittingsandvalves.com](http://www.ssfittingsandvalves.com)

Office: 17F-1718, No.49 Zhaiying St, Yuhua District, Shijiazhuang, 050000

Factory: No.17 East industrial Park, Anping county, Hebei, 053600, China





We, a manufacturing and trading combo, have produced and exported pipe fittings and ball valves since 2002, especially focusing on stainless steel pipe fittings and stainless steel ball valves.

We are a family-owned team, Mr. Yan brothers established KX Co. (Anping County KaiXuan stainless steel products Co., Ltd) and built the plant in 2002. Mr. Yan brothers younger generation heads KX Co.'s global business development, strategy, and marketing.

Every worker tries their best to do the best pipe fittings and valves to serve and give feedback to customers, all of us want to take this job constantly continue, we are the most stable fittings and valves supplier and reliable team of yours.

Delivering premium quality products at competitive prices. But, it's not the single reason why customers opt for KX Co. Selling a product is one thing; prompt and correct delivery is another. At KX Co., fast, reliable delivery and service quality are held in the highest regard. We are on a never-ending quest to develop new products for more customers.

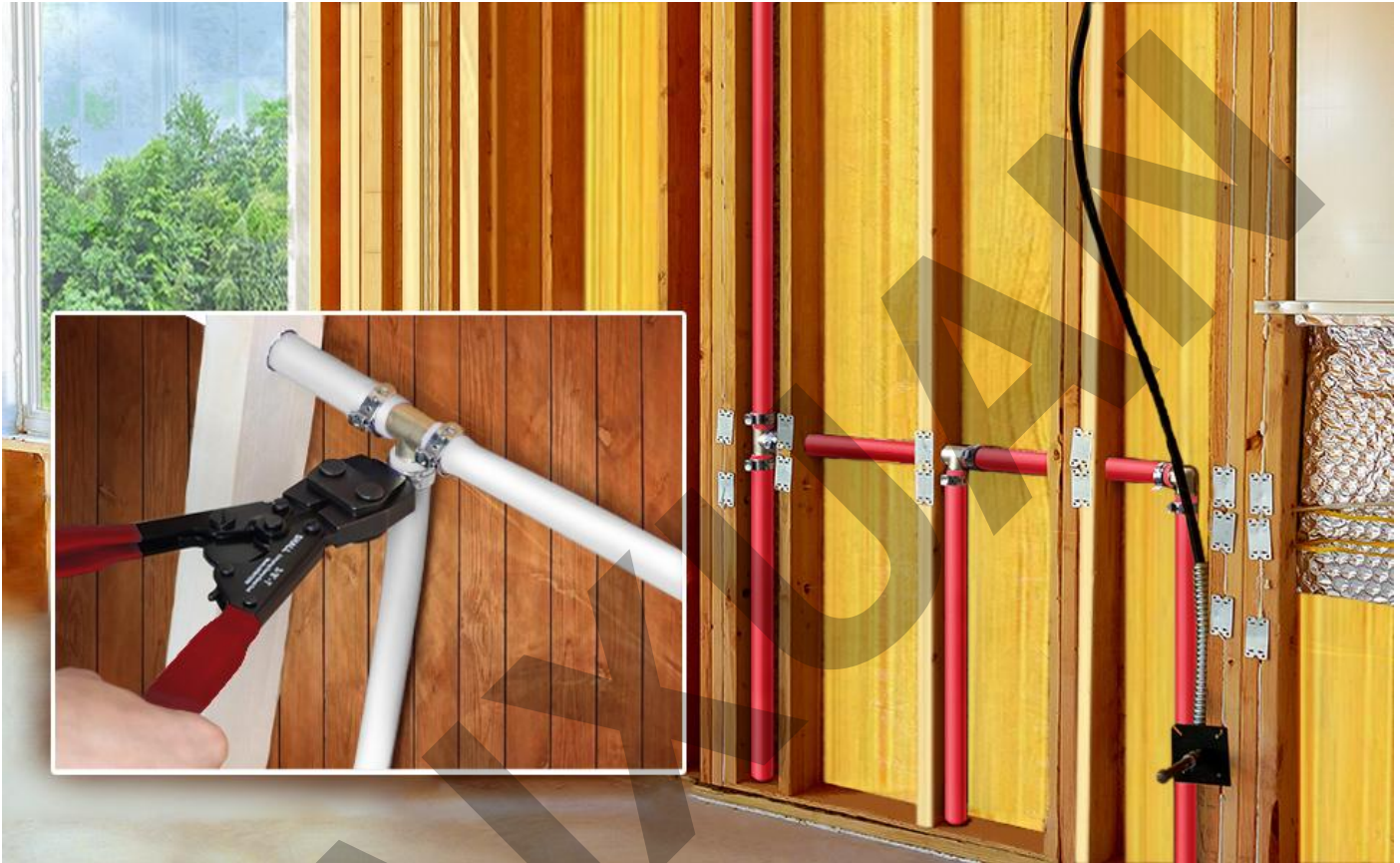
We take on the future: optimal service & prompt, accurate delivery, just as our customers have come to expect from us: "Superior in price and quality!"

A good product speaks for itself that it's always the idea that is valued.





## Stainless Steel PEX Fittings

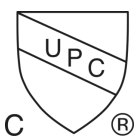


- Pattern: ASTM F1807 / ASTM F1960
- Material: Stainless Steel 304,316,1.4308,1.4408,CF8,CF8M
- End Connection: PEX/Crimp/Cold Expansion
- PEX Fitting Type: Crimp/Cold Expansion
- PEX Tubing Compatibility: PEX types A, B, C
- Medium: Water, Oil, Gas, Corrosive liquid
- Process: Precision Investment Casting
- Casting Conforms to ASTM A351, etc.
- Pressure: 150
- Size: 3/8" to 1"
- CERTIFICATION: cUPC Listed NSF/ANSI 61 & 372 Certified



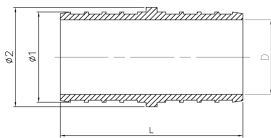
New Upgraded PEX Fittings

		
<b>Plastic</b>	<b>Stainless steel</b>	<b>Brass</b>
Thick wall	Thin wall	Thin wall
★	★★★★★	★★★★★
Small flow	Large flow	Large flow
★	★★★★★	★★★★★
Not corrosion resistant	Corrosion resistance	Not corrosion resistant
★	★★★★★	★★★
Short service life	Long service life	Short service life
★	★★★★★	★★★
Narrow range of applications	Wide range of applications	Narrow range of applications
★	★★★★★	★★★
<b>NO</b>	<b>YES</b>	<b>NO</b>



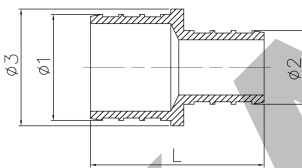


## Stainless Steel PEX Fittings--F1807



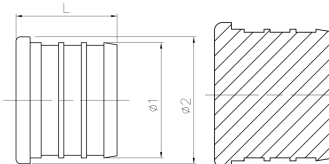
### Crimp PEX Coupling

SIZE	$\Phi 1 \pm 0.1$	$\Phi 2 \pm 0.1$	$L \pm 0.3$	$D \begin{smallmatrix} +0.3 \\ -0 \end{smallmatrix}$
1/2P×1/2P	11.96	14	35	8.89
3/4P×3/4P	16.94	19	35	13.46
1P×1P	21.74	24	44	18



### Crimp PEX Reducing Coupling

SIZE	$\Phi 1 \pm 0.1$	$\Phi 2 \pm 0.1$	$\Phi 3 \pm 0.1$	$L \pm 0.3$
3/4P×1/2P	16.94	11.96	19	35.6
1P×3/4P	21.74	16.94	24	40



### Crimp PEX Plug

SIZE	$\Phi 1 \pm 0.1$	$\Phi 2 \pm 0.1$	$L \pm 0.2$	
1/2P	11.96	14	18	
3/4P	16.94	19	18.5	
1P	21.74	24	23.2	



Stainless Steel PEX Fittings--F1807



Crimp PEX Transition PB

SIZE	A±0.1	B±0.1	C±0.1	L±0.3
1/2	12.7	11.96	14	35
3/4	18.1	16.94	19.06	35
1	23	21.74	25.4	43.9
SIZE	L <sup>+0.1</sup> <sub>-0</sub>			
1/2	16			
3/4	16			
1	20.2			

Transitlon Coupling-Crimp PEX x PB

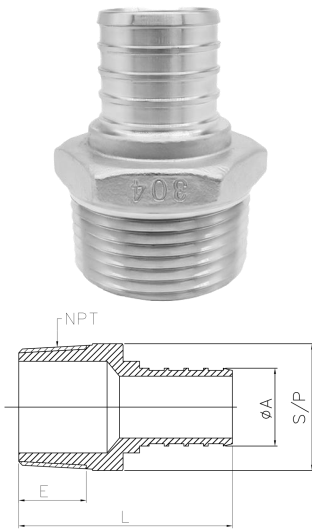
Transltions from Polybutylene (PB) plpe PB21 10 to PEX, Kit includes one coupling and two copper crimp rings. The black ring goes to the crimp PEX end and the copper colored ring goes to the PB end.





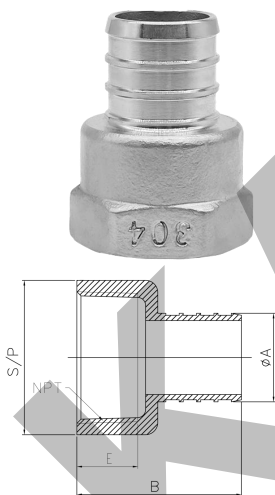
## Stainless Steel PEX Fittings--F1807

### Crimp PEX Male Adapter



SIZE	$\Phi A \pm 0.1$	$L \pm 0.4$	$S/P \begin{smallmatrix} +0 \\ -0.4 \end{smallmatrix}$	$E \begin{smallmatrix} +1 \\ -0 \end{smallmatrix}$
1/2P x 1/2M	12	42.4	22	13.5
1/2P x 3/4M	12	42.5	27	13.8
3/4P x 1/2M	17	42.5	22	13.5
3/4P x 3/4M	17	42.4	27	13.8
3/4P x 1M	17	43.6	35	17.3
1P x 3/4M	21.7	47	27	13.8
1P x 1M	21.7	48	35	17.3

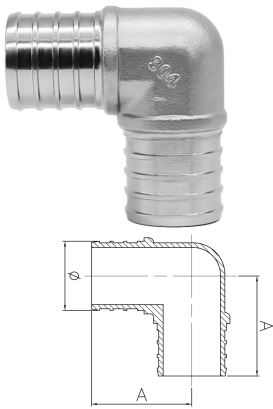
### Crimp PEX Female Adapter



SIZE	$\Phi A \pm 0.1$	$B \pm 0.3$	$S/P \begin{smallmatrix} +0 \\ -0.4 \end{smallmatrix}$	$E \begin{smallmatrix} +1 \\ -0 \end{smallmatrix}$
1/2P x 1/2F	11.96	34.5	25	13.5
1/2P x 3/4F	11.96	34.5	31	13.5
3/4P x 1/2F	16.94	34	25	13.5
3/4P x 3/4F	16.94	34.5	31	13.5
3/4P x 1F	16.94	36	38	15
1P x 1F	21.7	40.7	38	15

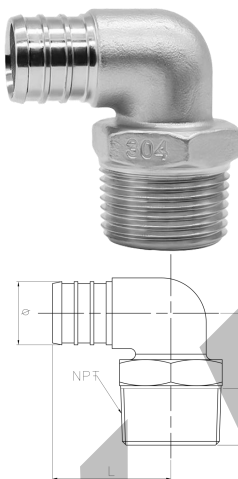


## Stainless Steel PEX Fittings--F1807



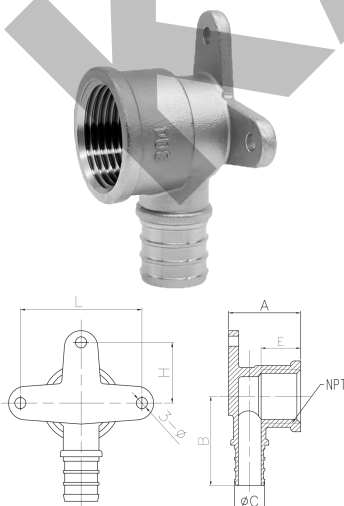
### Crimp PEX Elbow

SIZE	A±0.3	Φ±0.1
1/2P×1/2P	24.2	11.96
3/4P×3/4P	26.5	16.94
1P×1P	35	21.74



### Crimp PEX Male Elbow

SIZE	H±0.3	Φ±0.1	L±0.3	E <sup>+1</sup> <sub>-0</sub>
1/2P×1/2M	33	11.96	29.5	13.5
3/4P×3/4M	35.5	16.94	31.8	13.5



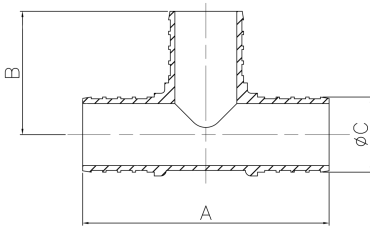
### Crimp PEX Drop Ear Elbow

SIZE	A±0.3	B±0.3	ΦC±0.1	3-Φ <sup>+0.1</sup> <sub>-0</sub>
1/2P×1/2F	28.5	36	11.96	4.0
3/4P×3/4F	31.9	37.2	16.94	4.0
1P×1F	34	36	16.94	4.0
SIZE	E <sup>+0.5</sup> <sub>-0</sub>	L±0.3	H±0.2	
1/2P×1/2F	13.5	43.6	21.8	
3/4P×3/4F	12	44	22	
1P×1F	13	43.6	21.8	



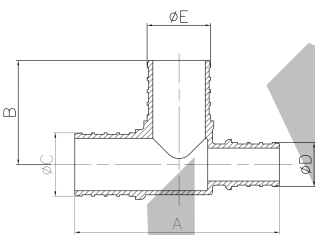


## Stainless Steel PEX Fittings--F1807



### Crimp PEX Equal Tee

SIZE	A±0.3	B±0.3	ΦC±0.1
1/2P×1/2P×1/2P	48.3	24.15	11.96
3/4P×3/4P×3/4P	53	26.5	16.94
1P×1P×1P	70	35	21.74



### Crimp PEX Reducing Tee

SIZE	A±0.3	B±0.3	ΦC±0.1	ΦD±0.1	ΦE±0.1
1/2P×1/2P×3/8P	51.5	24.5	11.96	11.96	8.76
3/4P×1/2P×1/2P	53.3	26.3	16.94	11.96	11.96
3/4P×1/2P×3/4P	53.6	27	16.94	11.96	16.94
3/4P×3/4P×3/8P	54	27	16.94	16.94	8.76
3/4P×3/4P×1/2P	53	28	16.94	16.94	11.96
3/4P×3/4P×1P	70.6	35.5	16.94	16.94	21.74
1P×1/2P×3/4P	69.3	34	21.74	11.96	16.94
1P×1/2P×1P	67	35	21.74	11.96	21.74
1P×3/4P×1/2P	69.3	34	21.74	16.94	11.96
1P×3/4P×3/4P	67	32	21.74	16.94	16.94
1P×3/4P×1P	67	35	21.74	16.94	21.74
1P×1P×1/2P	70	31.5	21.74	21.74	11.96
1P×1P×3/4P	70	31.5	21.74	21.74	16.94

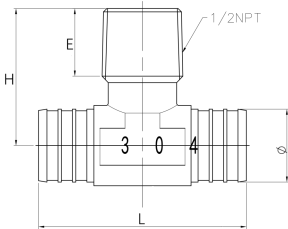


## Stainless Steel PEX Fittings--F1807



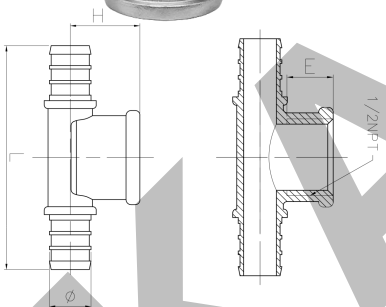
### Crimp PEX Male Drop Tee

SIZE	H±0.4	E <sup>+1</sup> <sub>-0</sub>	L±0.3	Φ±0.1
¾P×¾P×½F	31	14	57.6	16.94



### Crimp PEX Female Drop Tee

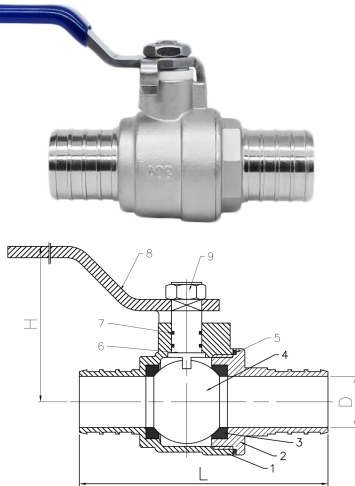
SIZE	H±0.4	Φ±0.1	L±0.3	E <sup>+1</sup> <sub>-0</sub>
½P×½P×½F	20.1	11.96	65.2	13.5
¾P×¾P×½F	25.4	16.94	68.8	13.5
1P×1P×½F	25.9	21.74	75	13.5





## Stainless Steel PEX Valves--F1807

### F1807 PEX Ball Valves Long Handle



SIZE	3/8	1/2	5/8	3/4	1
H±0.5	39.3	39.3	39.3	42	46
D <sup>+0.3</sup> <sub>-0</sub>	5.8	8.9	11.6	13.5	18
L±0.5	62	62	62.5	66	77

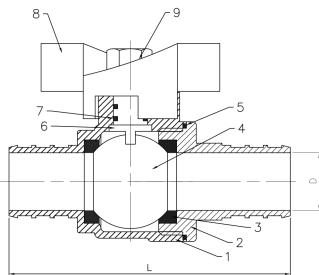
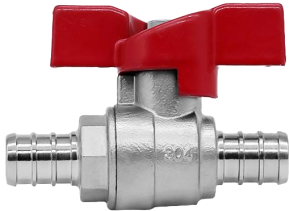
Material		
1	Body	Stainless Steel
2	Cap	Stainless Steel
3	Gasket	PTFE
4	Ball	Stainless Steel
5	O ring	Silica gel
6	Stem	Stainless Steel
7	O ring	Silica gel
8	Long handle	Stainless Steel
9	Stem nut	Stainless Steel

### F1807 Stainless Steel PEX Ball Valves

- Process: Precision Investment Casting (Conforms to ASTM A351, etc.)
- Material: Stainless Steel 304, 316, 1.4308, 1.4408, CF8, CF8M
- End Connection: PEX/Crimp
- PEX Valve Type: Crimp
- PEX Tubing Compatibility: PEX types A, B, C
- Pressure: 400 PSI
- Size: 3/8" 1/2" 5/8" 3/4" 1"
- Medium: Water, Oil, Gas, Corrosive liquid



## Stainless Steel PEX Valves--F1807



### F1807 PEX Ball Valves Butterfly Handle

SIZE	3/8	1/2	5/8	3/4	1
D	5.8	8.9	11.6	13.5	18
L	62	62	62.5	66	77

Material		
1	Stem Nut	Stainless steel
2	Handle	Aluminum
3	O ring	Silica gel
4	Stem	Stainless steel
5	O ring	Silica gel
6	Ball	Stainless steel
7	Gasket	PTFE
8	Cap	Stainless steel
9	Body	Stainless steel

### F1807 Stainless Steel PEX Ball Valves

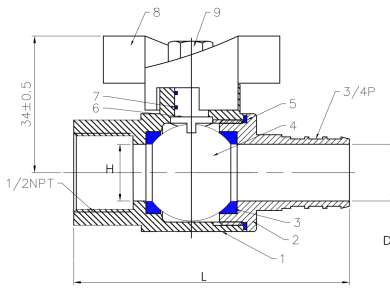
- Process: Precision Investment Casting (Conforms to ASTM A351, etc.)
- Material: Stainless Steel 304, 316, 1.4308, 1.4408, CF8, CF8M
- End Connection: PEX/Crimp
- PEX Valve Type: Crimp
- PEX Tubing Compatibility: PEX types A, B, C
- Pressure: 400 PSI
- Size: 3/8" 1/2" 5/8" 3/4" 1"
- Medium: Water, Oil, Gas, Corrosive liquid





## Stainless Steel PEX Valves--F1807

### F1807 Pex Ball Valve Female



SIZE	ΦH	L±0.5	ΦD <sup>+0.3</sup> <sub>-0</sub>
F1/2×1/2P	13.5	65.3	8.9
F1/2×3/4P	13.5	65.3	13.46

Material		
1	Stem nut	Stainless steel
2	Butterfly handle	Aluminum
3	O ring	Silica gel
4	Stem	Stainless steel
5	O ring	Silica gel
6	Ball	Stainless steel
7	Gasket	PTFE
8	Cap	Stainless steel
9	Body	Stainless steel

### F1807 PEX Ball Valve Female

- Process: Precision Investment Casting (Conforms to ASTM A351, etc.)
- Material: Stainless Steel 304, 316, 1.4308, 1.4408, CF8, CF8M
- End Connection: PEX/Crimp/Thread
- PEX Valve Type: Crimp/Thread
- PEX Tubing Compatibility: PEX types A, B, C
- Pressure: 400 PSI
- Size: F1/2x1/2P F1/2x3/4P
- Medium: Water, Oil, Gas, Corrosive liquid



## Three Types Of Connection

### PEX Annealed Copper Crimp Ring



SIZE	$\Phi 1 \pm 0.02$	$\Phi 2 \begin{smallmatrix} +0.02 \\ -0 \end{smallmatrix}$	$H \pm 0.02$
3/8	13	16	8.26
1/2	16.3	19	8.18
3/4	22.5	25.4	8.18
1	29.3	31.7	9.4

### PEX Copper Crimp Ring



SIZE	$\Phi 1 \pm 0.02$	$\Phi 2 \begin{smallmatrix} +0.02 \\ -0 \end{smallmatrix}$	$H \pm 0.02$
3/8	13	16	8.26
1/2	16.6	19	9.25
3/4	22.9	25.5	9.3
1	29.2	31.7	9.4

### Pinch Clamp Ring



SIZE	$\Phi 1 \pm 0.3$	$A \pm 0.25$	$B \pm 0.2$	$C \pm 0.2$	$D \pm 0.1$	$E \pm 0.05$
3/8	13.3	8	1.9	3.1	7	0.8
1/2	17.5	10	1.9	3.1	7	0.8
5/8	20.8	10	1.9	3.1	7	0.8
3/4	23.3	10	$2.5 \pm 0.3$	$3.5 \pm 0.3$	9	0.8
1	29.6	10	$2.7 \pm 0.2$	$4 \pm 0.5$	10	1.0





## Clamping PEX Tool Kit




- Universal -Complies with ASTM F2098 standard. Compatible with all brands of stainless steel clips.
- High-leverage design requires 50% less labor than the conventional type.
- Makes straight clean BURR-FREE cuts cuts PEX PIPES from 1/8"1-1/4".


### HOW TO USE WITH CINCH CLAMP




1. Cut the tube squarely.



2. Insert the fitting and slide the clamp over the end of the tubing.



3. Squeeze the handles of the cinch tool to close the clam's ear.

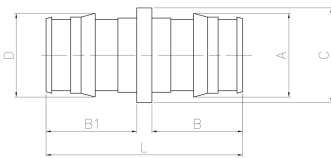


4. Pressure test the tubing and inspect before use.



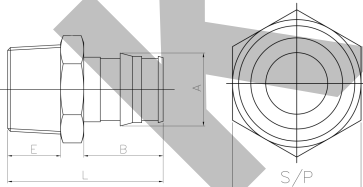
## Stainless Steel PEX Fittings--F1960

### CE PEX Coupling



SIZE	A±0.1	C±0.1	L±0.3	B <sup>+0.2</sup> <sub>-0</sub>	B1 <sup>+0.2</sup> <sub>-0</sub>	D±0.1
1/2P×1/2P	15.6	18.5	40	18	18	15.6
3/4P×1/2P	22.1	25	46	24	18	15.6
3/4P×3/4P	22.1	25	52	24	24	22.1
1P×3/4P	28	31	59	30	24	22.1
1P×1P	28	31	65	30	30	28

### CE PEX Male Adapter



SIZE	ΦA±0.1	L±0.4	B <sup>+0.2</sup> <sub>-0</sub>	E <sup>+1</sup> <sub>-0</sub>	S/P <sup>+0</sup> <sub>-0.4</sub>	
1/2P×1/2M	15.6	40	18	13.5	23.5	
1/2P×3/4M	15.6	41.5	18	13.5	28	
3/4P×1/2M	22.1	46.5	24	13.5	23.5	
3/4P×3/4M	22.1	47	24	13.5	28	
3/4P×1M	22.1	49.5	24	15	35	
1P×3/4M	28	53.5	30	13.5	28	
1P×1M	28	55.5	30	15	35	





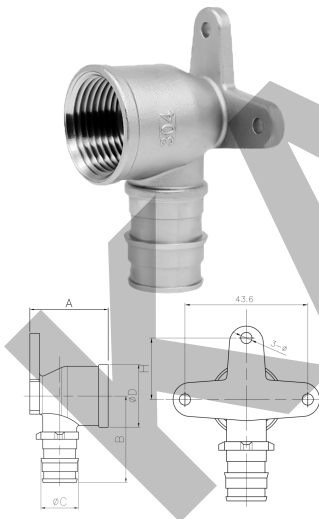
## Stainless Steel PEX Fittings--F1960

### CE PEX Female Adapter



SIZE	$\Phi A \pm 0.1$	$B \begin{smallmatrix} +0.2 \\ -0 \end{smallmatrix}$	$C \pm 0.2$	$L \pm 0.4$	$S/P \begin{smallmatrix} +0 \\ -0.4 \end{smallmatrix}$
1/2P x 1/2F	15.6	18	11.2	36.5	25.5
1/2P x 3/4F	15.6	18	11.5	36.5	31
3/4P x 1/2F	22.1	24	11.2	42.2	25.5
3/4P x 3/4F	22.1	24	11.5	42.5	31
3/4P x 1F	22.1	24	14	45	38
1P x 1F	28	30	14	51	38

### CE PEX Drop Ear Elbow

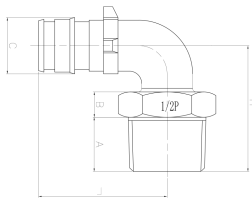
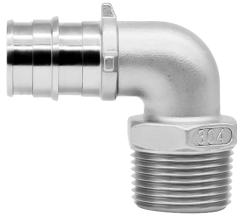


SIZE	$A \pm 0.3$	$B \pm 0.3$	$\Phi C \pm 0.1$	$3-\phi \begin{smallmatrix} +0.2 \\ -0 \end{smallmatrix}$	$\Phi D \pm 0.2$	$L \pm 0.3$
1/2P x 1/2F	32.5	38	15.6	4.0	26	43.6
3/4P x 1/2F	37.7	41.3	22.1	4.0	26	43.6
3/4P x 3/4F	37.7	41.3	22.1	4.0	30.2	44
SIZE	$H \pm 0.15$					
1/2P x 1/2F	21.8					
3/4P x 1/2F	21.8					
3/4P x 3/4F	22					



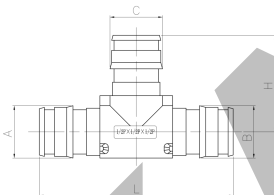
## Stainless Steel PEX Fittings--F1960

### CE PEX Male Elbow



SIZE	H±0.3	L±0.3	A±0.2	B±0.1	C±0.1
1/2P×1/2M	34.8	35.6	15	7	15.6
3/4P×3/4M	38	44.8	16	7	22.1

### CE PEX Tee

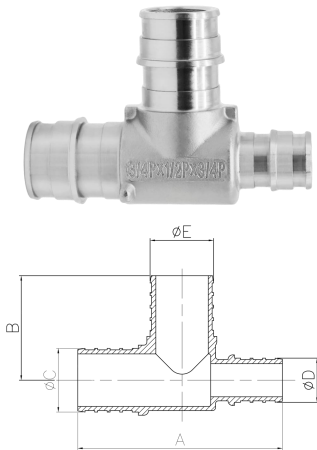


SIZE	L±0.3	A±0.3	B±0.1	C±0.1	H±0.1
1/2P×1/2P×3/8P	54.6	15.6	15.6	12.1	25.8
1/2P×1/2P×1/2P	57.6	15.6	15.6	15.6	28.8
3/4P×1/2P×1/2P	70	22.1	15.6	15.6	32
3/4P×1/2P×3/4P	70	22.1	15.6	22.1	38
3/4P×3/4P×3/8P	66.7	22.1	22.1	12.1	29
3/4P×3/4P×1/2P	76	22.1	22.1	15.6	32
3/4P×3/4P×3/4P	76	22.1	22.1	22.1	38
3/4P×3/4P×1P	85	22.1	22.1	28	48.5
1P×1/2P×3/4P	76	28	15.6	22.1	40.2
1P×1/2P×1P	85	28	15.6	28	48.5
1P×3/4P×1/2P	82	28	22.1	15.6	36.2
1P×3/4P×3/4P	82	28	22.1	22.1	40.2
1P×3/4P×1P	91	28	22.1	28	48.5
1P×1P×1/2P	88	28	28	15.6	36.2
1P×1P×3/4P	88	28	28	22.1	40.2
1P×1P×1P	97	28	28	28	48.5



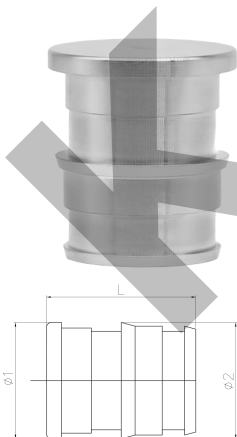
## Stainless Steel PEX Fittings--F1960

### Crimp PEX Reducing Tee



SIZE	A±0.3	B±0.3	ΦC±0.1	ΦD±0.1	ΦE±0.1
1/2P×1/2P×3/8P	51.5	24.5	11.96	11.96	8.76
3/4P×1/2P×1/2P	53.3	26.3	16.94	11.96	11.96
3/4P×1/2P×3/4P	53.6	27	16.94	11.96	16.94
3/4P×3/4P×3/8P	54	27	16.94	16.94	8.76
3/4P×3/4P×1/2P	53	28	16.94	16.94	11.96
3/4P×3/4P×1P	70.6	35.5	16.94	16.94	21.74
1P×1/2P×3/4P	69.3	34	21.74	11.96	16.94
1P×1/2P×1P	67	35	21.74	11.96	21.74
1P×3/4P×1/2P	69.3	34	21.74	16.94	11.96
1P×3/4P×3/4P	67	32	21.74	16.94	16.94
1P×3/4P×1P	67	35	21.74	16.94	21.74
1P×1P×1/2P	70	31.5	21.74	21.74	11.96
1P×1P×3/4P	70	31.5	21.74	21.74	16.94

### CE PEX Plug

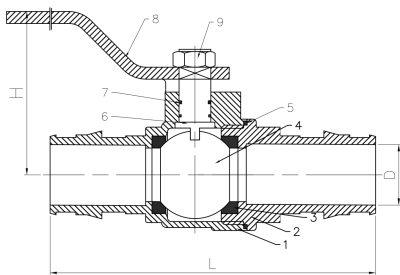


SIZE	Φ1±0.1	Φ2±0.1	L±0.2		
1/2P	15.6	15.6	20		
3/4P	22.1	22.1	26		
1P	28	28	32		



## Stainless Steel PEX Valves--F1960

### F1960 PEX Ball Valve



SIZE	1/2	3/4	1
H±0.5	39.3	42	46
D <sup>+0.3</sup> <sub>-0</sub>	9.6	15.2	20.2
L±0.5	67.8	82.3	96.8

Material		
1	Stem Nut	Stainless steel
2	Long handle	Stainless steel
3	O ring	Silica gel
4	Stem	Stainless steel
5	O ring	Silica gel
6	Ball	Stainless steel
7	Gasket	PTFE
8	Cap	Stainless steel
9	Body	Stainless steel

### F1960 Stainless Steel PEX Ball Valves

- Process: Precision Investment Casting (Conforms to ASTM A351, etc.)
- Material: Stainless Steel 304, 316, 1.4308, 1.4408, CF8, CF8M
- End Connection: PEX/Cold Expansion
- PEX Valve Type: Cold Expansion
- PEX Tubing Compatibility: PEX types A, B, C
- Pressure: 400 PSI
- Size: 3/8" 1/2" 5/8" 3/4" 1"
- Medium: Water, Oil, Gas, Corrosive liquid





## Great For All PEX Applications



High-quality stainless steel PEX Fittings are an excellent choice for residential, commercial, and professional plumbing.

## Application Field

01

Domestic water  
Condensed water  
Oxygen  
Compressed air

02

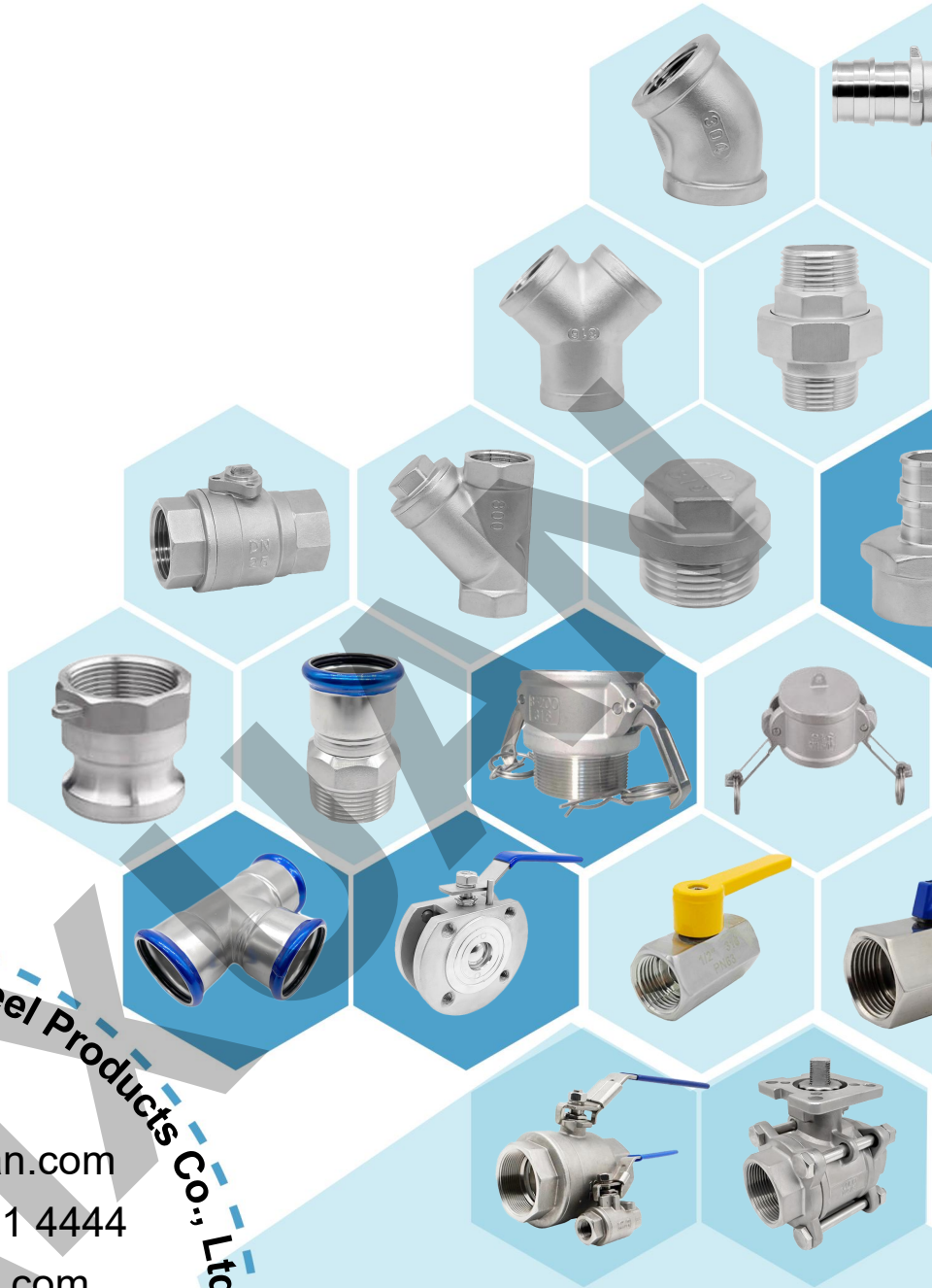
Hot water  
Heating  
pipeline system

03

Natural gas  
Liquefied gas  
Gas pipeline  
system

04

Other chemical  
liquid pipelines



Anping County KaiXuan Stainless Steel Products Co., Ltd.

**Email:** [info@hbkaixuan.com](mailto:info@hbkaixuan.com)

**WA/TEL:** +86 156 3351 4444

**Web:** [www.kxcasting.com](http://www.kxcasting.com)

[www.ssfittingsandvalves.com](http://www.ssfittingsandvalves.com)

**Office:** 17F-1718, No.49 Zhaiying St,  
Yuhua District, Shijiazhuang, 050000

**Factory:** No.17 East industrial zone,  
Anping county, Hebei, 053600, China



WhatsApp: +86 156 3351 4444