

修订号	修订说明	日期	签名	检查

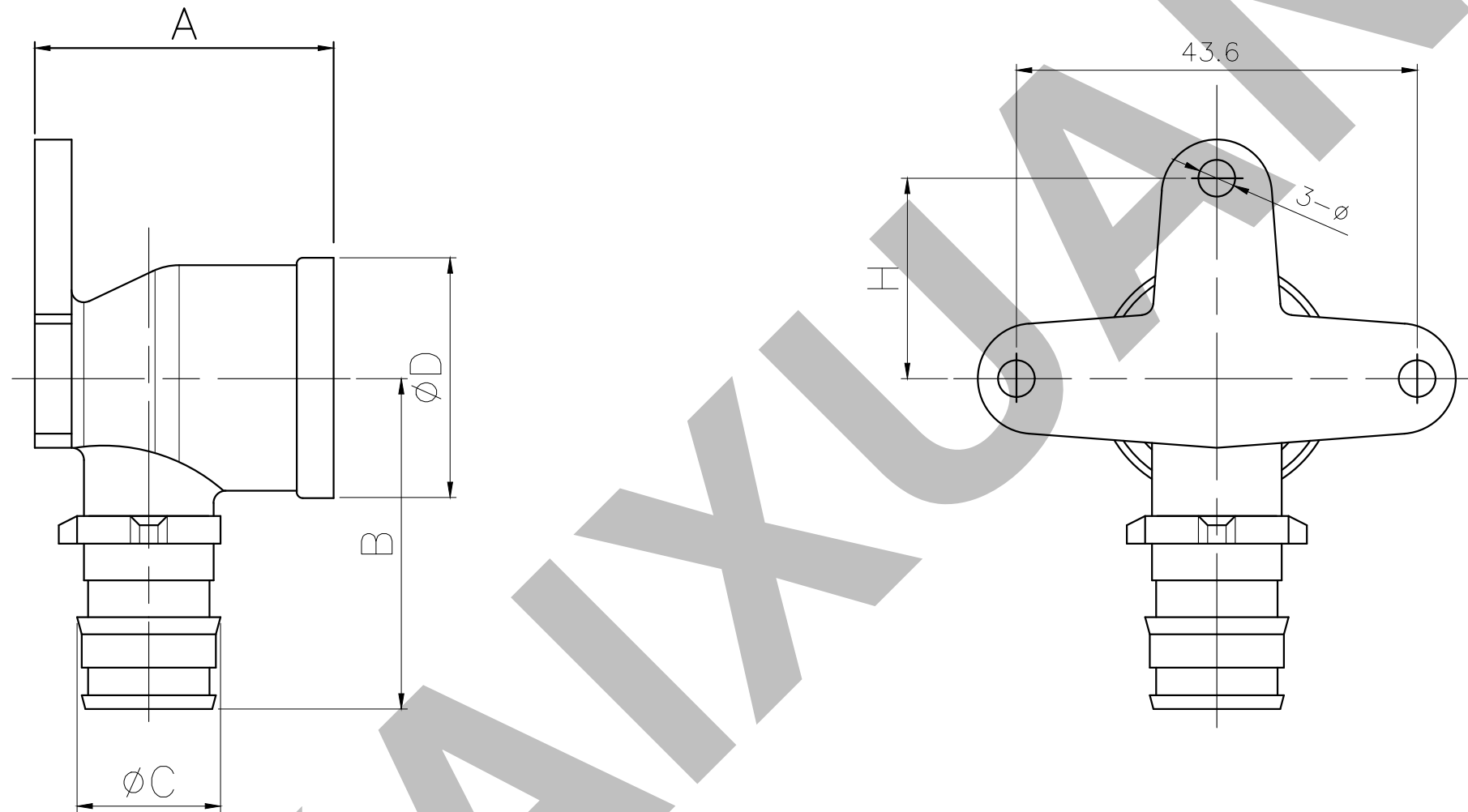
Font :GB2312

Font height: 5MM Font spacing :0.5MM

Mark form :F1960 CF8 X / X 150PSI KX
 Standard / Material / size / Pressure / Manufacturer

Certification:  NSF/ANSI/CAN61:Q≤0.5

Unit: MM



size	A±0.3	B±0.3	φC±0.1	3-φ ^{+0.2} ₋₀	φD±0.2	L±0.3	H±0.15
3/4P×3/4F	37.7	43.1	22.1	4.0	30.2	44	22
1/2P×1/2F	32.5	38	15.6	4.0	26	43.6	21.8
3/4P×1/2F	37.7	41.3	22.1	4.0	26	43.6	21.8

PEX drop ear elbow F1960 cold expansion			Proportion	KXCP-042
			Material	KXCP-041
Design		2023.12.06	Texture	KXCP-043
Drawing	李占良		Anping County Kaixuan Stainless steel co.,Ltd	
Review				