

修订号	修订说明	日期	签名	检查

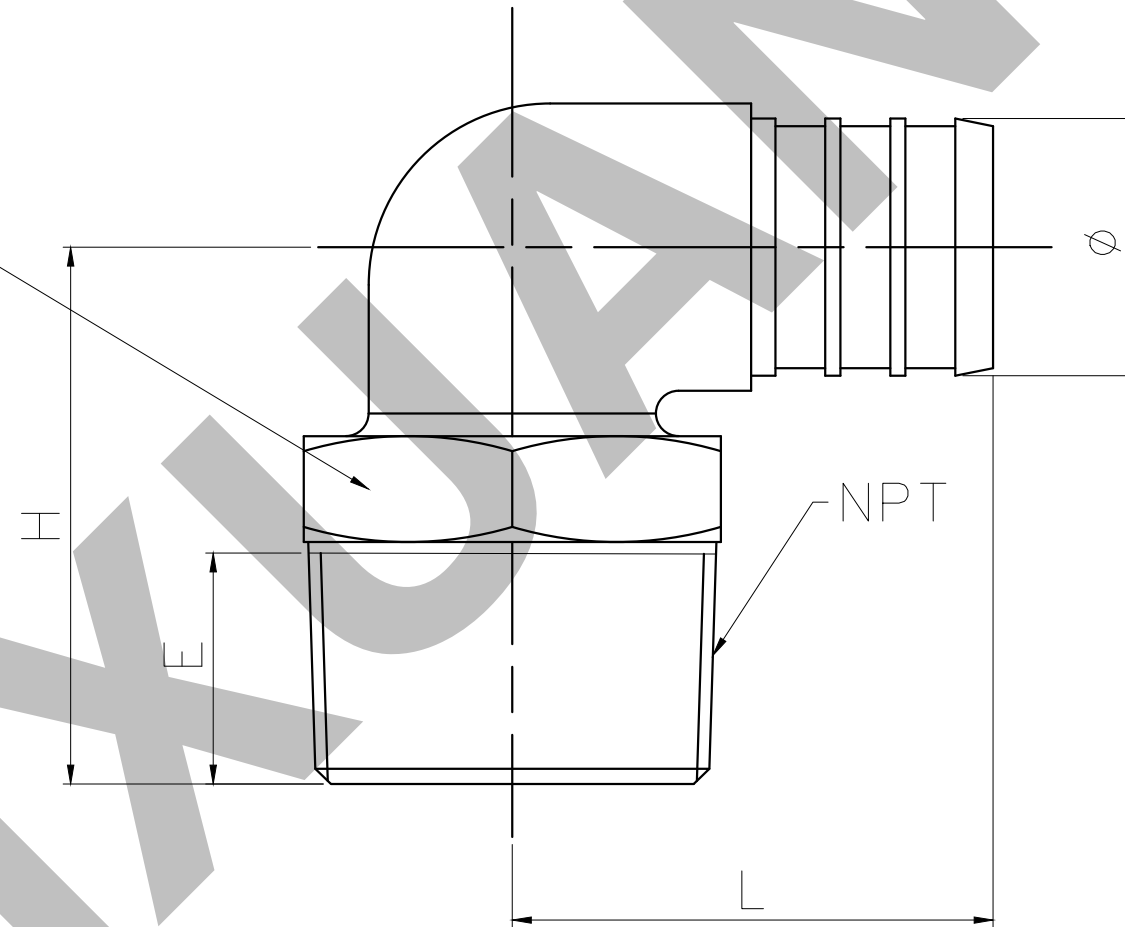
Font :GB2312

Font height: 5MM Font spacing :0.5MM

Mark form :F1807 CF8 size 150PSI KX
Standard Material Pressure Manufacturer

Certification:  NSF/ANSI/CAN61:Q≤0.5

Unit: MM



size	H±0.3	Ø±0.1	L±0.3	E ⁺¹ ₋₀	
¾P×¾M	35.5	16.94	31.8	13.5	KXP-304006
½P×½M	33	11.96	29.5	13.5	KXP-304005

PEX Male Elbow			Proportion	2:1	
			Material		
Design			Texture		Weight
Drawing	李占良	2024.04.13	Anping County Kaixuan Stainless steel co.,Ltd		
Review					