

修订号	修订说明	日期	签名	检查

Unit: MM

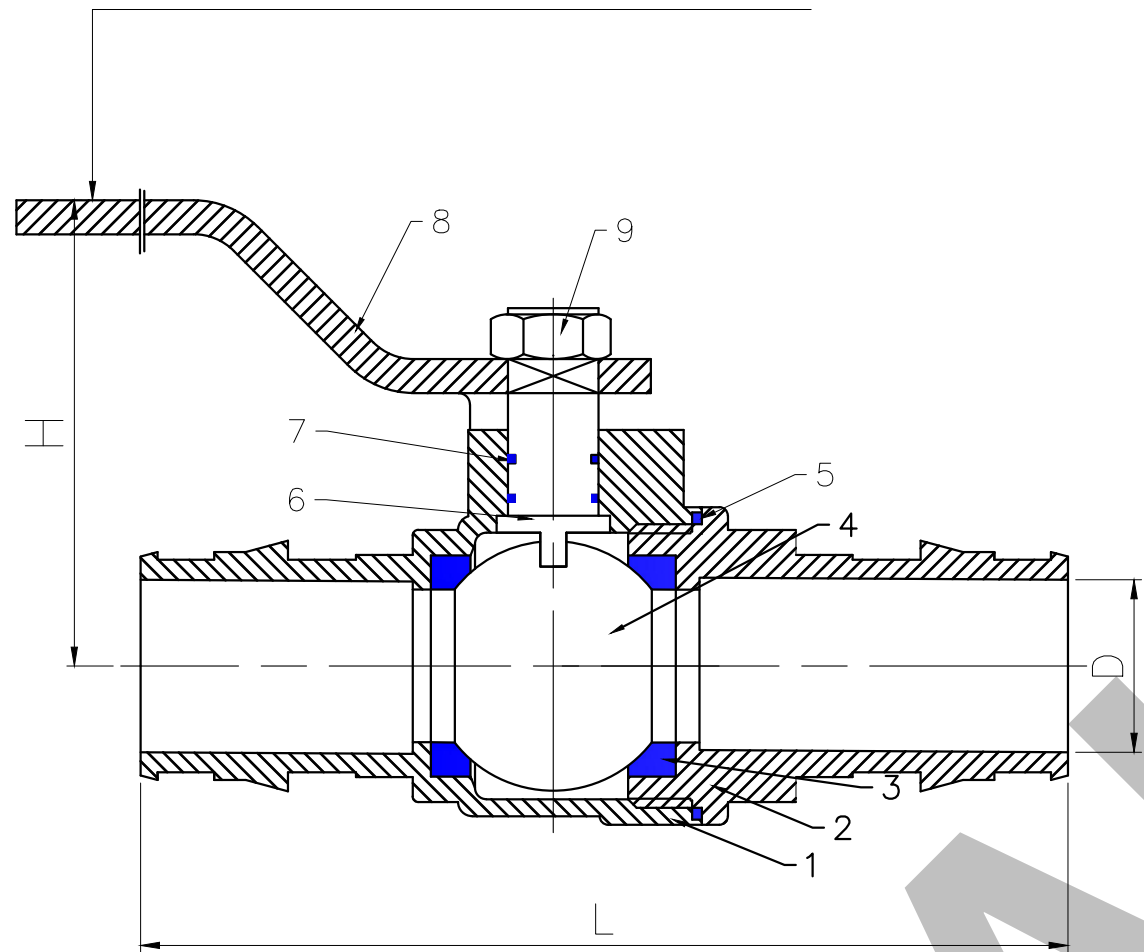
Font :GB2312

Font height: 5MM Font spacing :0.5MM

Mark form :F1960 Z1157+A112.4.14 CF8 Size 400WOG KX

Standard Material Pressure Manufacturer

Certification:  NSF/ANSI/CAN61:Q≤0.5



H±0.5		39.3	42	46		
+0.3		9.6	15.2	20.2		Medium:water
D-0						
L±0.5		67.8	82.3	96.8		
9	stem nut	M8		1	Stainless Steel	
8	long handle			1	Stainless Steel	
7	O ring			2	Silica gel	
6	stem			1	Stainless Steel	
5	O ring			1	Silica gel	
4	Ball			1	Stainless Steel	Medium:water
3	Gasket			2	PTFE	Medium:water
2	Cap			1	Stainless Steel	
1	Body			1	Stainless Steel	
NO	part name	Size	Quantity	Material	Remark	

PEX BALL VALVE 400WOG  
F1960 cold expansion

Proportion	2:1	1/2	KXCPV-12
Material		3/4	KXCPV-34
Texture		1	KXCPV-10

Design	李占良	
Drawing	李占良	2024.02.23
Review		

Anping County Kaixuan Stainless steel co.,Ltd